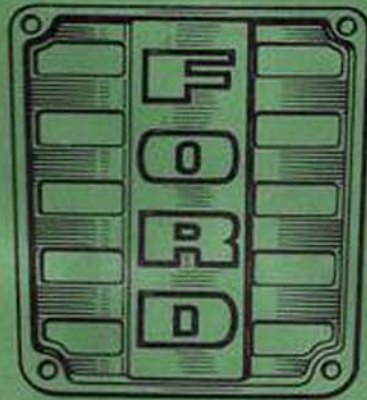


Ford

Series 1801

PARTS CATALOG

Supplement No. 1



INDUSTRIAL

SEPTEMBER, 1958

TRACTOR AND IMPLEMENT DIVISION

Ford Motor Company

2500 East Maple Road, Birmingham, Michigan

T
R
A
C
T
O
R

P
A
R
T
S
C
A
T
A
L
O
G

FORWARD

This publication lists the new service parts which are used exclusively for the Series 1801 Ford Industrial Tractor. This publication is a supplement to, and must be used in conjunction with the Tractor Parts Catalog, dated February, 1958. Instructions to be followed in locating parts are shown in the general information section, Page II of the February catalog. The Ford Industrial Tractor is basically the same as the Series 801 Tractor. Parts common to both Series 801 and 1801 are shown in the February catalog.

A numerical index of all parts shown in the supplement is included as a further aid for rapid identification of parts. All parts except accessories and accessory parts are cross-referenced with group numbers. Accessories and accessory parts are referenced to page numbers.



PARTS TRACTOR CATALOG

FIG.	PART NUMBER	PART NAME	NO. REQ'D	MODEL OR SERIES	YEAR
1. WHEELS, RIMS, DISCS & HUBS					
1.1.1 Wheels					
1A	312743	5-1/2 Bolt Hole Dia. w/7, 50 x 16 Tires	2		58/
1.1.4 Hub & Bolt Assy. - Front Wheel					
1A	313020	Incl. Cups 312548, 312518 & 6 Bolts	2		58/
1.1.5 Bolt - Front Wheel					
1A	313022		12		58/
1.1.6 Nut - Front Wheel Hub Bolt					
1A	2N-1012		12		58/
1.1.7 Cone & Roller Assy. - Front Wheel Bearing					
1A	312520	Outer w/313020	2		58/
1A	8L-4221	Inner w/313020	2		58/
1.1.8 Cup - Front Wheel Bearing					
1A	312518	Inner w/313020	2		58/
1A	312548	Outer w/313020	2		58/
1.1.9 Retainer Assy. - Front Hub					
1A	312523		2		58/
1.1.10 Cup - Front Hub					
1A	313023		2		58/
1.2.1 Rims - Rear Wheels					
	313197	12" x 28"	2	Optional Equipment	58/



PARTS TRACTOR CATALOG

FIG.	PART NUMBER	PART NAME	NO. REQ'D	MODEL OR SERIES	YEAR
2. BRAKES AND BRAKE CONTROLS					
2.2 BRAKE CONTROLS					
2.2.1 Pedal - Brake					
2B	313554	R. H.	1		58/
2.2.11 Arm - Brake Pawl					
2B	NCA-2324-A		1		58/
	34808-S7	Washer 7/16 Lock			
	20894-S8	Bolt 7/16 - 20 x 1.68 (Pawl Arm) Hex Hd.	1		58/
	74181-S	Key 1/4 x 7/8 (Arm to Camshaft) Woodruff	1		58/
2.2.12 Pawl - Brake					
2B	NCA-22785-B		2		58/
	72255-S8	Pin 3/16 x 1 (Pawl & Parking) Brake Lever to Camshaft Lever & Pawl Arm) Groove	2		58/
2.2.13 Lever - Parking Brake					
2B	NCA-22071-A	R. H.	1		58/
2B	NCA-22072-A	L. H.	1		58/
2.2.14 Sector - Brake Pawl					
2B	NDA-2796-B		2		58/
2.2.15 Guide - Parking Brake Control Rod					
2B	312817		2		58/
2.2.16 Rod - Parking Brake Pawl Control					
2B	312818	L. H. Short	1		58/
2B	312819	R. H. Long	1		58/
2.2.17 Spring - Parking Brake Pawl Control					
2B	312821	Lower	2		58/
2B	312822	Upper	2		58/
	44719-S8	Washer 1/4 (Spring Seat) Flat	8		58/
2.2.18 Clip - Parking Brake Pawl Control Rod					
2B	8M-9825	Rod to Lever	2		58/
2.2.20 Handle - Parking Brake Pawl Control Rod					
	312820	L. H.	1		58/
	312826	R. H.	1		58/

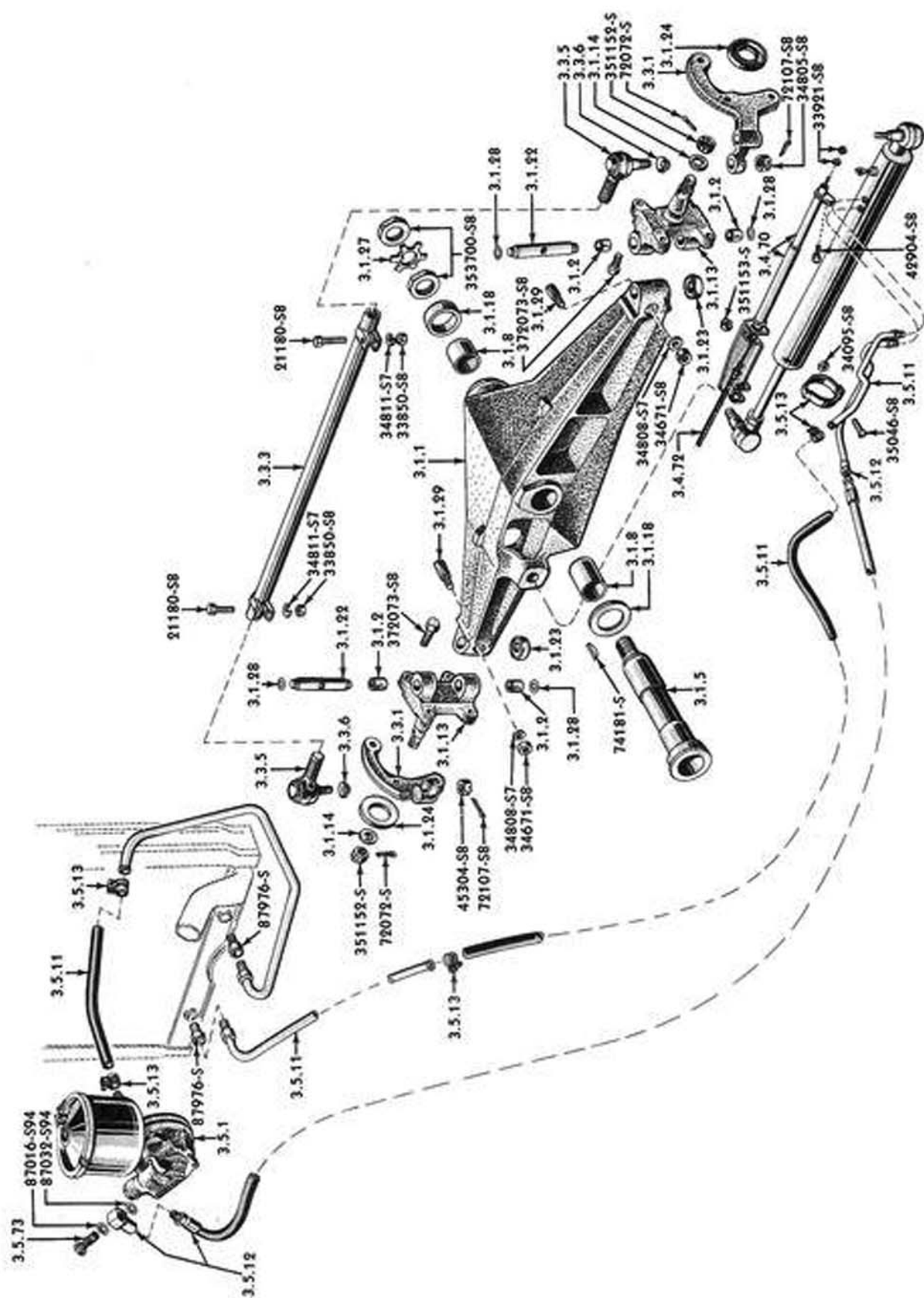


Fig. 3C4 FRONT AXLE, STEERING UNIT & RELATED PARTS

Group numbers only shown on illustration. Order by Part Numbers shown in list of parts.

PARTS TRACTOR CATALOG

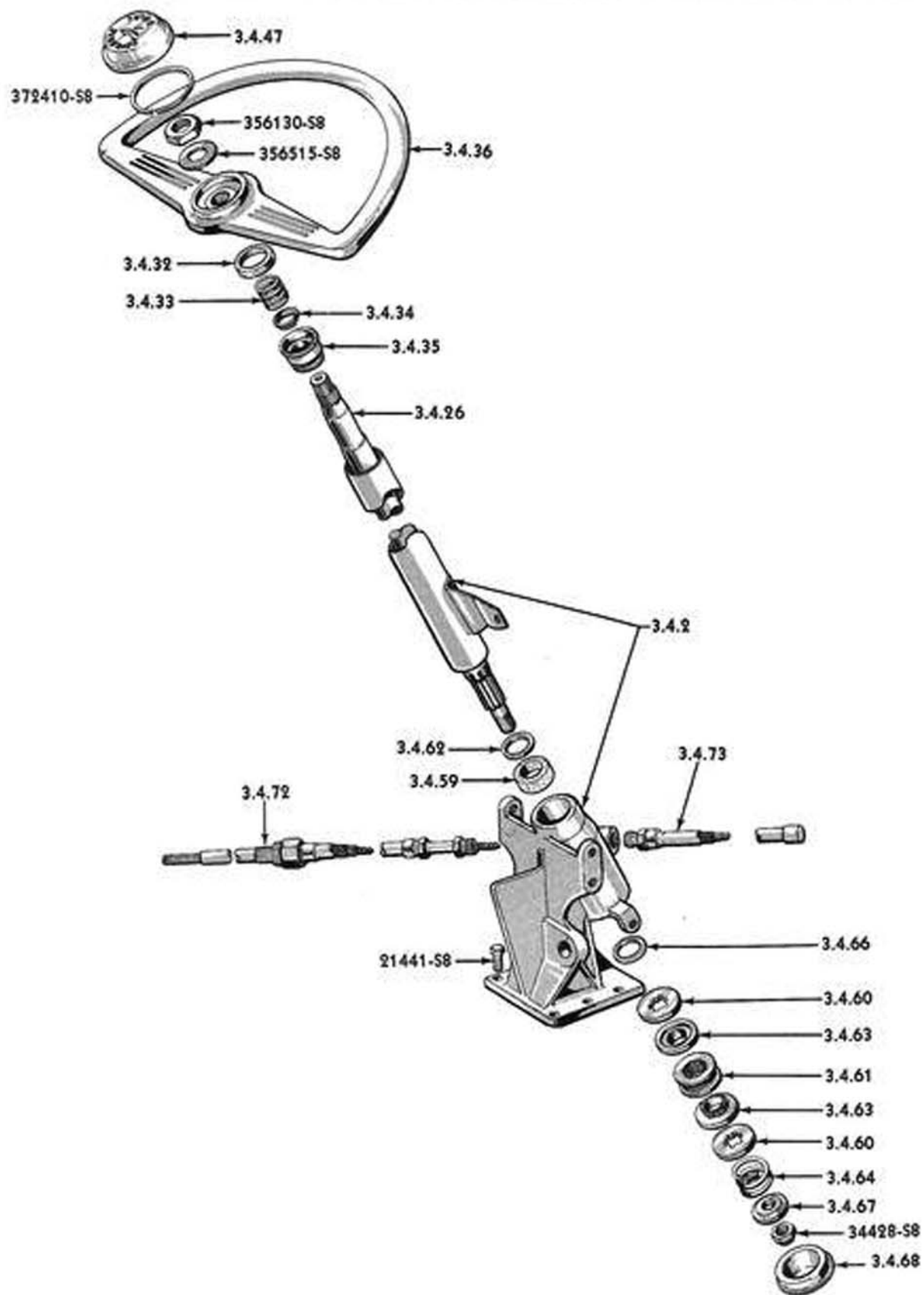
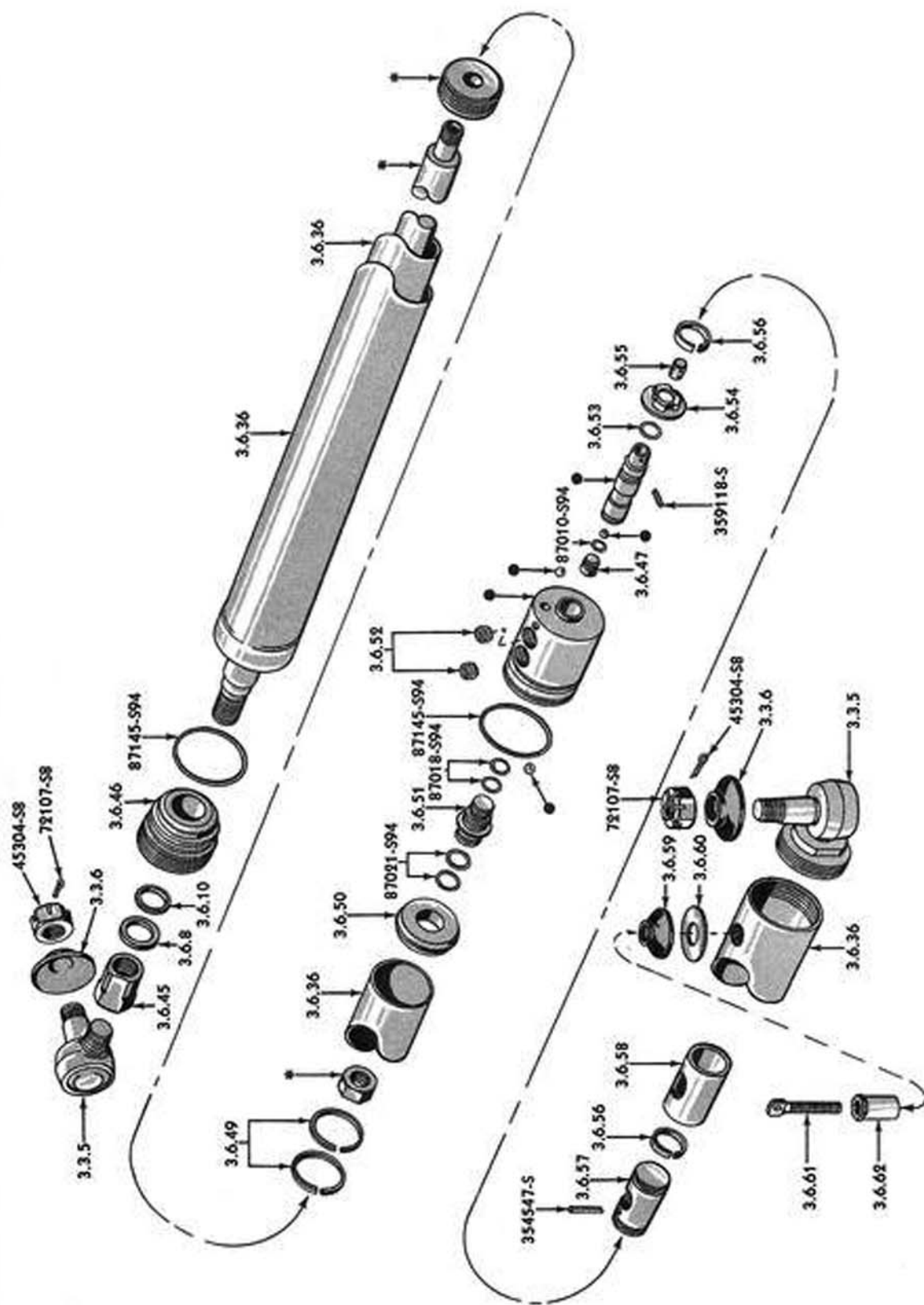


Fig. 3D4 POWER STEERING ACTUATOR ASSY.

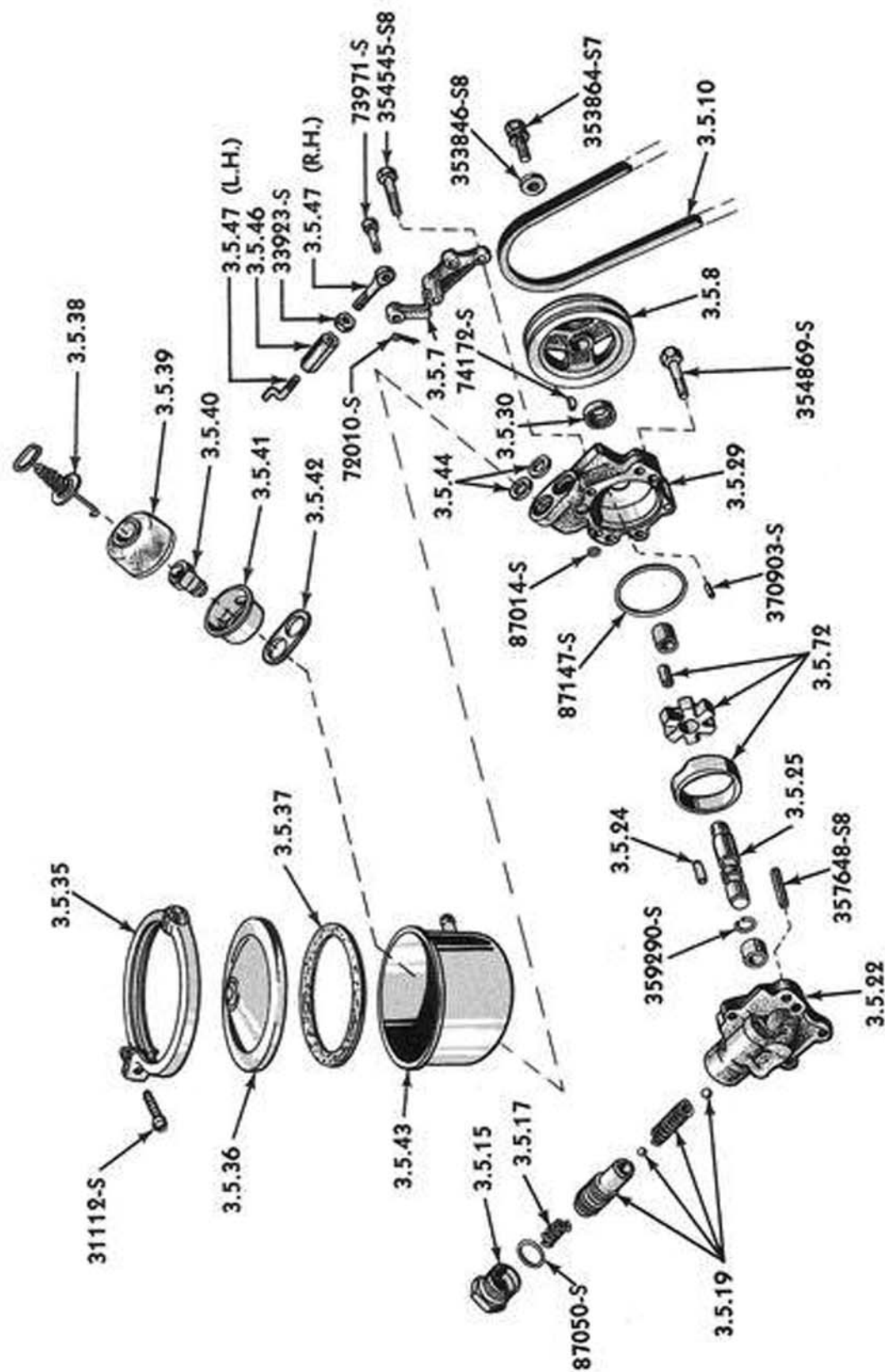
Group numbers only shown on illustration. Order by Part Numbers shown in list of parts.



* PART OF 313476 ASSY. (3.6.48)
 ● PART OF 313462 ASSY. (3.6.12)

Fig. 3E4 POWER STEERING CYLINDER

Group numbers only shown on illustration. Order by Part Numbers shown in list of parts.


Fig. 3E5 POWER STEERING PUMP & RELATED PARTS

Group numbers only shown on illustration. Order by Part Numbers shown in list of parts.



PARTS TRACTOR CATALOG



FIG.	PART NUMBER	PART NAME	NO. REQ'D	MODEL OR SERIES	YEAR
3. FRONT SUSPENSION & STEERING SYSTEM					
3.1 FRONT AXLE; SPINDLES & RELATED PARTS					
3.1.1 Axle Assembly - Front					
3A1	312538	Incl. 312562 & 312563	1		58/
3.1.2 Bushing - Front Wheel Spindle					
3A1	TDBA-3110-A		4		58/
3.1.4 Support Assy. - Front Axle					
19A	312596		1		58/
		351505-S8 Washer 5/8 Flat			
		354462-S8 Bolt 5/8 - 11 x 2-3/4 (Support to Engine) Hex Hd.	2		58/
3.1.5 Pin - Front Axle					
3A1	312560	Assy.	1		58/
		74181-S Key 1/4 x 7/8 Woodruff			
		353700-S8 Nut 1-11/16 - 18 (Pin & Axle to Support) Hex	1		58/
3.1.8 Bushing - Front Axle					
3A1	312562	Front w/312538	1		58/
3A1	312563	Rear w/312538	1		58/
3.1.13 Spindle Assy. - Front Wheel					
3A1	312593	Incl. TDBA-3110-A Bushing	2		58/
		72072-S Pin - 5/32 x 1.50 Cotter			
		351152-S Nut - 7/8 - 14 (Spindle to Front Wheel Hub) Hex Castle Slotted	2		58/
3.1.14 Washer - Front Hub Bearing Retainer					
3A1	BB-1195		2		58/
3.1.18 Spacer - Front Axle					
3A1	312557	Pin Thrust - Rear	1		58/
3A1	312558	Pin Thrust - Front	1		58/
3.1.22 Pin - Spindle					
3A1	TDBA-3115-A		2		58/
3.1.23 Bearing Assy - Spindle Pin					
3A1	81T-3123-A		2		58/

PARTS **TRACTOR** CATALOG

FIG.	PART NUMBER	PART NAME	NO. REQ'D	MODEL OR SERIES	YEAR
3. FRONT SUSPENSION & STEERING SYSTEM					
3.1.24 Shield - Front Wheel Hub Mud					
3A1	312565	W/312593	2		58/
3.1.25 Stud - Front Axle Support					
19A	312599		4		58/
		34808-S7 Washer 7/16 Lock			
		34671-S8 Nut 7/16 - 20 (Stud to Front Axle Support) Hex	4		58/
3.1.26 Insulator Assy - Support					
19A	NCB-6038-A		2		58/
3.1.27 Washer - Front Axle Pin Lock					
3A1	NCA-4636-A	W/312560	1		58/
3.1.28 Ring - Spindle Pin Seal					
3A1	TDBA-3125-A		4		58/
3.1.29 Pin - Spindle Locking					
3A1	81T-3122		2		58/
		34808-S7 Washer 7/16 Lock			
		34671-S8 Nut 7/16 - 20 (Retain Spindle Pin & Locking Pin) Hex	2		58/
3.1.30 Shield Assy. - Power Strg. Control Frit. Cable					
3C4	313174	Outer	1		58/
3C4	313272	Inner	1		58/
		42904-S8 Bolt & L/W 1/4 - 20 x 5/8 (Inner Shield to Cylinder) Hex Hd.	2		58/
3.1.31 Washer - Power Strg. Cyl. Connecting Sleeve End					
3C4	313293		1		58/
3.3 STEERING LINKAGE, DRAG LINKS & RELATED PARTS					
3.3.1 Arm - Front Axle Spindle					
3A1	312591	L. H.	1		58/
3A1	312592	R. H.	1		58/
		372073-S8 Bolt 9/16 - 12 x 1.88 (Arm to Spindle Assy.) Hex Drid. Hd.	6		58/



PARTS TRACTOR CATALOG

FIG.	PART NUMBER	PART NAME	NO. REQ'D	MODEL OR SERIES	YEAR
3. FRONT SUSPENSION & STEERING SYSTEM					
3.3.3 Sleeve - Steering Drag Link Adjusting					
3A1	312929	Assy.	1		58/
		34911-S7 Washer 5/8 Lock			
		33850-S8 Nut 5/8 - 18 Hex			
		21180-S8 Bolt, 5/8 - 18 x 2.75 (Clamp to Sleeve) Hex Hd.	2		58/
3.3.5 End Assy. - Drag Link, Conn. Rod & Power Steering Cylinder					
3A1	309567	Kit - Steering Tie Rod End L.H. Consists of the following:	1		58/
		(1) 312922 End Assy. (N.S.)			
		(1) 8Q-3332-A Dust Cover			
		(1) 87901-S8 Fitting 1/8 Lube			
		(1) 45304-S8 Nut 7/8 - 14 Hex Slotted			
		(1) 72107-S8 Cotter Pin			
3A1	309568	Kit - Steering Tie Rod End R.H. Consists of the following:	1		58/
		(1) 312921 End Assy. (N.S.)			
		(1) 8Q-3332-A Dust Cover			
		(1) 87901-S8 Fitting 1/8 Lube			
		(1) 45304-S8 Nut 7/8 - 14 Hex Slotted			
		(1) 72107-S8 Cotter Pin			
3E4	313473	Power Strg. Cyl. End Assy. R.H.	1		58/
3E4	313474	Power Strg. Cyl. End Assy. L.H.	1		58/
		72107-S8 Pin 1/8 x 2 Cotter	2		58/
		45304-S8 Nut 7/8 - 14 Hex Slotted	2		58/
3.3.6 Cover Assy. or Seal - Steering Linkage Ball Stud Dust					
3A1	8Q-3332-A		2		58/
3E4	313552	Dust Seal	2		58/
3.4 STEERING GEAR AND RELATED PARTS					
3.4.2 Housing Assy. - Steering Gear					
3D4	313356	Actuator	1		58/
		21441-S8 Bolt 7/16 - 14 x 1.12 (Actuator Assy. & Choke Rod Brkt. to Trans.) Hex Hd.	4		58/
3.4.26 Shaft Assy. - Steering					
3D4	313348	Actuator	1		58/
		34424-S8 Nut 1/2 - 20 (Wheel, Spring & Seat to Shaft) Hex Lock	1		58/
3.4.32 Seal - Steering Column Dust					
3D4	313395		1		58/



PARTS TRACTOR CATALOG

FIG.	PART NUMBER	PART NAME	NO. REQ'D	MODEL OR SERIES	YEAR
3. FRONT SUSPENSION & STEERING SYSTEM					
3.4.33 Spring - Steering Column Bearing					
3D4	8N-3520		1		58/
3.4.34 Seat - Steering Column Bearing Spring					
3D4	8N-3518		1		58/
3.4.35 Bearing Assy. - Steering Column					
3D4	8N-3517		1		58/
3.4.36 Wheel Assy. - Steering					
3D4	313140		1		58/
		356515-S8B Washer, .70 x 1.50 Flat			
		351114-S8 Nut 11/16 - 20 (Strg. Wheel to Shaft) Blind	1		58/
3.4.47 Emblem - Power Steering					
3D4	313374		1		58/
3.4.59 Spacer - Power Steering Actuator Housing					
3D4	313661		1		58/
3.4.60 Washer - Power Steering Actuator Friction					
3D4	313347		2		58/
3.4.61 Wheel - Power Steering Actuator					
3D4	313346		1		58/
3.4.62 Washer - Power Steering Actuator Shaft Thrust					
3D4	313422		1		58/
3.4.63 Bushing - Power Steering Actuator Wheel					
3D4	313345		2		58/
3.4.64 Spring - Power Steering Actuator Friction					
3D4	313343		1		58/
3.4.66 Washer - Power Strg. Actuator Shaft Thrust					
3D4	313340		2		58/
3.4.67 Seat - Power Strg. Actuator Friction Spring					
3D4	313342		1		58/



PARTS TRACTOR CATALOG

FIG.	PART NUMBER	PART NAME	NO. REQ'D	MODEL OR SERIES	YEAR
3. FRONT SUSPENSION & STEERING SYSTEM					
3.4.68 Cap - Power Steering Actuator					
3D4	313341		1		58/
3.4.70 Shield Assy. - Power Steering Control Front Cable					
3C4	313174	Outer	1		58/
3C4	313272	Inner	1		58/
	42904-S8	Bolt & L/Washer 1/4 - 20 - 5/8 (Shield Assy. -Inner to Cyl.) Hex	2		58/
3.4.71 Washer - Power Steering Cyl. Conn. Sleeve End					
3C4	313293		1		58/
3.4.72 Cable & Conduit Assy. - Power Steering					
3D4	313551		1		58/
	351153-S	Nut 7/8 - 14 Hex Jam	1		
	34914-S7	Washer 7/8 Lock (Internal tooth)	1		
	33921-S8	Nut 1/4 - 28 Hex Jam (Cable & Conduit Assy. to Cyl. & Shield Assy.)	2		58/
	351075-S	Nut 9/16 - 18 Hex Jam (Lock Cable Conduit Sleeve to Cable Conduit Assy.)	1		58/
3.4.73 Conduit Assy. - Power Steering Ext. Cable Flexible					
3D4	313534		1		58/
3.4.74 Bracket - Power Steering Control Cable					
	313572	Front	1		58/
	34807-S7	Washer 3/8 Lock			
	33800-S8	Nut 3/8 - 24 Hex			
	20389-S8	Bolt 3/8 - 24 x 1.00 (Front Brkt. to L.H. Side Member) Hex Hd.	1		58/
	313574	Center	1		58/
	313575	Rear	1		58/
3.5 POWER STEERING PUMP, OIL RESERVOIR & RELATED PARTS					
3.5.1 Pump, Reservoir & Pulley Assy. - Power Steering					
3E4	313148	N.S. Order Components	1		58/
3.5.7 Bracket - Power Steering Pump Support					
3E4	313421	W/313148 Pump	1		58/
	354545-S8	Bolt 3/8 - 16 x 2.50 (Bracket to Pump Housing) Hex Hd.	2		58/

PARTS TRACTOR CATALOG

FIG.	PART NUMBER	PART NAME	NO. REQ'D	MODEL OR SERIES	YEAR
3. FRONT SUSPENSION & STEERING SYSTEM					
3.5.8 Pulley - Power Steering Pump					
3E4	313150	W/313148 Pump Assy.	1		58/
		353846-S8 Washer 5/16 Flat			
		353864-S7 Screw & L/W 5/16 - 18 x .87 (Pulley to Pump) Hex Hd.	1		58/
		74172-S Key 1/8 x 1/2 Woodruff (Pulley to Pump Shaft)	1		58/
3.5.10 Belt - Power Steering Pump					
3E4	313149	W/313148 Pump Assy.	1		58/
3.5.11 Hose or Tube Assy. - Power Strg. Return					
3C4	313179	Cooler to Pump Tube Assy.	1		58/
3C4	313180	Cooler to Pump Hose	1		58/
3C4	313269	Cyl. to Cooler Tube Assy. Upper	1		58/
3C4	313270	Cyl. to Cooler Tube Assy. Lower	1		58/
3C4	313271	Cyl. to Cooler Hose	1		58/
		87976-S Connector (Tubes to Cooler)	2		58/
3.5.12 Hose or Tube Assy. - Power Strg. Pump					
3C4	313181	Tube & Hose Assy.	2		58/
3.5.13 Clamp Assy. - Power Strg. Hose					
3C4	313372	Pressure & Return Tubes to Cyl.	1		58/
		34108-S8 Nut 1/4 - 20 Sq.			
		35046-S8 Bolt 1/4 - 20 x .75 (Tubes to Cyl.) Rd. Hd.	1		58/
	313444	Tubes to Engine			58/
		34141-S8 Nut #10-32 Square			
		31628-S Screw #10-32 x 5/8 (Clamps & tube to brkt. to engine) Fillister Hd.	1		58/
3C4	59T-2342-A3	W/Return tubes Cyl. to Cooler	2		58/
		W/Return tubes Cooler to Pump	2		58/
3.5.14 Pump Assy. - Power Steering					
3E4	313351	W/313148 Pump Assy.	1		58/
3.5.15 Fitting - Power Steering Pump Valve Outlet					
3E4	KD-33627-A	Cap - W/313148 Pump Assy.	1		58/
		87050-S94 "O"Ring (Power Strg. Pump Valve Outlet Cap Seal)	1		58/
3.5.17 Spring - Power Steering Pump Flow Control Valve					
3E4	313371	W/313148 Pump Assy.	1		58/



PARTS TRACTOR CATALOG

FIG.	PART NUMBER	PART NAME	NO. REQ'D	MODEL OR SERIES	YEAR
3. FRONT SUSPENSION & STEERING SYSTEM					
3.5.19 Valve Assy. - Power Steering Pump					
3E4	313366	W/313148 Pump Assy.	1		58/
3.5.22 Cover Assy. - Power Steering Pump Housing					
3E4	313553	W/313148 Pump Assy.	1		58/
		357648-S8 Pin 5/16 x 3/4 Dowel	2		58/
		370903-S Pin - Dowel	1		58/
		354869-S8 Bolt 3/8 - 16 x 2.00 (Cover to Housing) Hex Hd.	3		58/
3.5.24 Pin - Power Steering Pump Rotor Drive					
3E4	LA-33633-A	W/313148 Pump Assy.	1		58/
3.5.25 Shaft - Power Steering Pump Rotor					
3E4	KD-33611-A	W/313148 Pump Assy.	1		58/
		359290-S Snap Ring	1		58/
3.5.29 Housing Assy. - Power Steering Pump					
3E4	313365	W/313148 Pump Assy.	1		58/
		87014-S94 "O"Ring (Flow Director Seal)	1		58/
		87147-S94 "O"Ring	1		58/
3.5.30 Seal Assy. - Power Steering Pump Shaft Oil					
3E4	LA-33623-A	W/313148 Pump Assy.	1		58/
3.5.35 Clamp Assy. - Power Steering Reservoir Cover					
3E4	231133	W/313148 Pump Assy.	1		58/
		31112-S32 Screw 1/4 - 20 x .87 Fill. Hd.	1		58/
3.5.36 Cover Assy. - Power Steering Oil Reservoir					
3E4	231134	W/313148 Pump Assy.	1		58/
3.5.37 Gasket - Power Steering Oil Reservoir Cover					
3E4	231191	W/313148 Pump N.S. order 231134	1		58/
3.5.38 Retainer Assy. - Power Strg. Oil Reservoir Filter Element					
3E4	313362	W/313148 Pump Assy.	1		58/
3.5.39 Element Assy. - Power Strg. Oil Reservoir Filter					
3E4	313353	W/313148 Pump Assy.	1		58/

PARTS **TRACTOR** CATALOG

FIG.	PART NUMBER	PART NAME	NO. REQ'D	MODEL OR SERIES	YEAR
3. FRONT SUSPENSION & STEERING SYSTEM					
3.5.40 Stud - Power Strg. Oil Reservoir					
3E4	231115	W/313148 Pump Assy.	1		58/
3.5.41 Support - Power Strg. Oil Reservoir Filter Element					
3E4	313363	W/313148 Pump Assy.	1		58/
3.5.42 Reinforcement - Power Strg. Oil Reservoir Orifice					
3E4	LE-33553-A	W/313148 Pump Assy.	1		58/
3.5.43 Reservoir & Tube Assy. - Power Strg. Oil					
3E4	313355	W/313148 Pump Assy.	1		58/
3.5.44 Gasket - Power Strg. Pump Intake & Exhaust Orifice					
3E4	AG-33547-A	W/313148 Pump Assy.	1		58/
3.5.45 Bracket - Power Strg. Pump Tube					
	313373	Tube to Engine			58/
3.5.46 Turnbuckle Power Strg. Pump Adjusting					
3E4	310042	W/313148 Pump Assy.	1		58/
3.5.47 Rod - Power Strg. Pump Adjusting Turnbuckle					
3E4	310039	L.H. Thread W/313148 Pump Assy.	1		58/
3E4	310043	R.H. Thread W/313148 Pump Assy.	1		58/
		72010-S8 Pin 1/8 x 5/8 Cotter			
		7397L-S8 Pin 3/8 x 1.56 (R.H. Rod to Power Strg. Pump) Clevis	1		58/
		33923-S8 Nut, 5/16 - 24 (R.H. Rod to Turnbuckle) Hex	1		58/
3.5.72 Kit - Power Steering Rotor					
3E4	HPN-3612-A	W/313148 Pump Assy.	1		58/
3.5.73 Bolt - Power Strg. Pressure Hose					
3C4	313307		1		58/
3C4		87016-S94 "O"Ring -(Pressure Hose Bolt Seal)	1		58/
3C4		87034-S94 "O"Ring (Pressure Hose Bolt Seal)	1		58/
3.5.74 Filter - Power Strg. Pump By-Pass					
	313549		1		58/
3.5.75 Retainer - Power Steering Pump Gasket					
	313548		1		58/



PARTS TRACTOR CATALOG

FIG.	PART NUMBER	PART NAME	NO. REQ'D	MODEL OR SERIES	YEAR
3. FRONT SUSPENSION & STEERING SYSTEM					
3.6 POWER STEERING CYLINDER AND RELATED PARTS					
3.6.8 Seal - Power Strg. Cylinder Piston Rod Outer					
3E4	313454		1		58/
3.6.10 Seal Assy. - Power Strg. Cylinder Piston Rod Inner					
3E4	313456		1		58/
3.6.12 Housing & Spool Assy. - Power Strg. Control Valve					
3E4	313462	Cylinder Valve	1		58/
		87010-S94 "O"Ring (Cyl. Valve Spool)	1		58/
		359118-S Pin 1/8 x 5/8 Roll	1		58/
		372489-S "O"Ring (Cyl. Valve Spool)	1		58/
3.6.36 Tube Assy. - Power Steering Cylinder					
3E4	313475	Tube Inner	1		58/
3E4	313478	Tube Outer	1		58/
3.6.45 Sleeve - Power Strg. Cyl. Connecting Rod End					
3E4	313472		1		58/
3.6.46 Guide - Power Strg. Cyl. Piston Rod					
3E4	313477		1		58/
		87145-S94 "O"Ring - Piston Rod Guide	2		58/
3.6.47 Plug - Power Strg. Cyl. Valve Spring					
3E4	313464		1		58/
3.6.48 Piston Rod Assy. - Power Strg. Cyl.					
3E4	313476		1		58/
3.6.49 Ring - Power Strg. Cyl. Piston					
3E4	313459		2		58/
3.6.50 Retainer - Power Strg. Cyl. Inner Tube					
3E4	313461		1		58/
3.6.51 Plug - Power Strg. Cyl. Valve Housing					
3E4	313463		1		58/
		87018-S94 "O"Ring - Valve Hsg. Plug	2		58/
		87021-S94 "O"Ring - Valve Hsg. Plug	2		58/
3.6.52 Seat - Power Strg. Cyl. Valve Body					
3E4	313457		2		58/

PARTS **TRACTOR** CATALOG

FIG.	PART NUMBER	PART NAME	NO. REQ'D	MODEL OR SERIES	YEAR
3. FRONT SUSPENSION & STEERING SYSTEM					
3.6.54 Retainer - Power Strg. Cyl. Spool Oil Seal					
3E4	313460		1		58/
3.6.55 Pin - Power Strg. Cyl. Valve Actuating					
3E4	313465		1		58/
3.6.56 Bushing - Power Strg. Cyl. Valve Actuating Stud Support					
3E4	313467		2		58/
3.6.57 Support - Power Strg. Cyl. Valve Actuating Stud					
3E4	313466		1		58/
3.6.58 Guide - Power Strg. Cyl. Valve Actuating Stud Support					
3E4	313468		1		58/
		354547-S Pin - 1/8 x 1 Roll	1		58/
3.6.59 Seal - Power Strg. Cyl. Valve Actuating Stud					
3E4	313455		1		58/
3.6.60 Washer - Power Strg. Cyl. Valve Actuating Stud					
3E4	313469		1		58/
3.6.61 Stud - Power Strg. Cyl. Valve Actuating					
3E4	313470		1		58/
3.6.62 Nut - Power Strg. Cyl. Valve Actuating Stud Jam					
3E4	313471		1		58/
6.3.7 Pulley - Crankshaft					
6C	313118		1		58/
		34808-S7 Washer 7/16 Lock			
		20330-S8 Bolt 7/16 - 14 x 5/8 (Pulley to Hub) Hex Hd.	4		58/
7.3.25 Extension - Clutch Release Shaft Arm					
	313605		1		58/



PARTS TRACTOR CATALOG



FIG.	PART NUMBER	PART NAME	NO. REQ'D	MODEL OR SERIES	YEAR
8. COOLING SYSTEM					
8.1 RADIATOR, SHROUD CONNECTIONS & RELATED PARTS					
8.1.1 Radiator Assy.					
8A	313131		1		58/
		34808-S7 Washer 7/16 Lock			
		34090-S8 Nut 7/16 - 14 Hex			
		351641-S8 Bolt 7/16 - 14 x 1.00 (Rad. to Front Axle Support) Hex Hd.	2		58/
		87976-S Connector 1/2 Inverted Flare Tube	2		58/
8.1.2 Cock Assy. - Radiator Drain					
8A	9N-8115-B		1		58/
8.1.3 Cap Assy. - Radiator					
8A	1T-8100-A2		1		58/
8.1.6 Insulator - Radiator Support					
8A	NAA-8125-A		2		58/
8.1.7 Hose - Cylinder Head & Radiator					
8A	310048	Upper W/Power Steering	1		58/
8A	313151	Radiator Lower	1		58/
8.1.8 Clamp Assy. - Hose					
8A	60-8287-A	Lower Radiator Hose	2		58/
8A	8CM-8287	Upper Radiator Hose	2		58/
8.1.9 Shroud - Fan					
8A	313142		1		58/
		357622-S8 Screw & L/W #8 - 32 x 3/8 (Shroud to Radiator)	6		58/
8.1.10 Connection - Water Outlet					
8A	310031	W/Power Steering	1		58/
		34806-S7 Washer 5/16 Lock			
		20366-S8 Bolt 5/16 - 18 x 7/8 (Water Outlet Conn. to Cyl. Hd.) Hex Hd.	2		58/
8.1.11 Gasket - Water Outlet Connection					
8A	EAF-8255-A		1		58/
8.1.12 Thermostat Assy. - Water					
8A	EAF-8575-B	Except Diesel	1		58/
8A	EBE-8575-B	Diesel Only	1		58/
8.1.14 Shield - Radiator Lower Hose					
	312920		1		58/



PARTS TRACTOR CATALOG

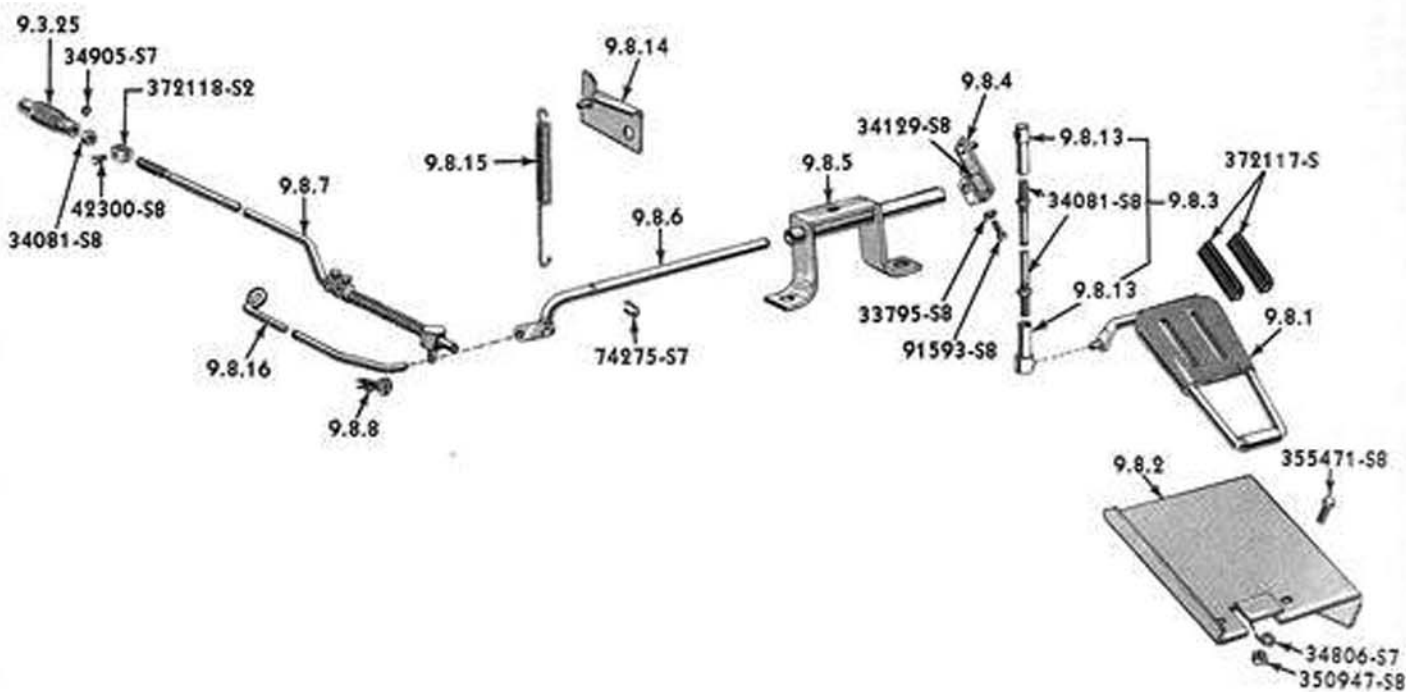


Fig. 9H1 FOOT ACCELERATOR (Gasoline)

Group numbers only shown on illustration. Order by Part Numbers shown in list of parts.

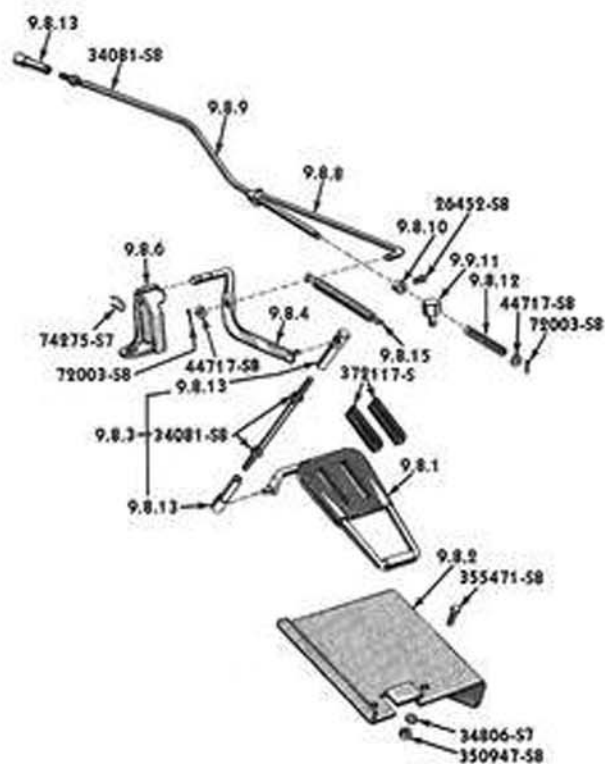


Fig. 9H2 FOOT ACCELERATOR (Diesel)

Group numbers only shown on illustration. Order by Part Numbers shown in list of parts.

PARTS **TRACTOR** CATALOG

FIG.	PART NUMBER	PART NAME	NO. REQ'D	MODEL OR SERIES	YEAR
------	-------------	-----------	-----------	-----------------	------

9. FUEL SYSTEM

9.8 ACCELERATOR & RELATED PARTS

9.8.1 Pedal Assy. - Accelerator

9H	312768		1		58/
		372117-S Bumper - Accelerator Pedal	2		58/

9.8.2 Plate - Accelerator Pedal Mounting

9H	312761		1		58/
		34806-S7 Washer 5/16 Lock			
		350247-S8 Nut 5/16 - 24 Hex			
		355471-S8 Bolt 5/16 - 24 x .75 (Plate to R. H. Running Board) Carr. Hd.	2		58/

9.8.3 Rod Assy. - Accelerator Pedal

9H	312769	Except Diesel	1		58/
9H	313049	Diesel Only	1		58/

9.8.4 Lever Assy. - Accelerator Control

9H	312762	Except Diesel	1		58/
		34129-S Nut 1/4 - 20 Square			
		33795-S8 Nut 1/4 - 20 Hex			
		91593-S8 Screw 1/4 - 20 x .75 (Lever to Shaft) Cone Point Set	1		58/
9H	313052	Diesel Only	1		58/
		44726-S8 Washer 3/8 Flat			
		74275-S7 Spring - Retainer (Lever to Support)	1		58/

9.8.5 Support - Accelerator Control

9H	312766	Except Diesel	1		58/
9H	313051	Diesel Only	1		58/

9.8.6 Shaft - Accelerator

9H	312765	Except Diesel	1		58/
		74275-S7 Retainer - Shaft Spring	1		58/

9.8.7 Rod & Guide Assy. - Throttle Control

9H	312760	Except Diesel	1		58/
		42300-S8 Screw #10 - 16 x .38 Slotted Hex Hd. Tapping	3		58/
		34905-S7 Washer 1/4 Tooth Lock			
		34081-S8 Nut 1/4 - 28 (Rod & Guide to Rod End Assy.) Hex	1		58/
		72003-S8 Pin 1/16 x 1/2 (Rod to Bellcrank Assy.) Cotter	1		58/
		372118-S2 Clip - (Rod & Guide Assy. R. P. M. Set)	1		58/



PARTS TRACTOR CATALOG

FIG.	PART NUMBER	PART NAME	NO. REQ'D	MODEL OR SERIES	YEAR
9. FUEL SYSTEM					
9.8.8 Rod - Accelerator Control					
9H	312767	Except Diesel	1		58/
9H	313057	Diesel Only	1		58/
9.8.9 Rod - Throttle Control					
9H	313056	Diesel Only	1		58/
	72003-S8	Pin 1/16 x 1/2 (Rod to Lever and Bellcrank Assy.) Cotter	2		58/
9.8.10 Stop - Throttle Control Rod					
9H	313058	Diesel Only	2		58/
	26452-S8	Screw #8 - 32 x 3/16 (Stop to Rod) Rd. Hd.	2		58/
9.8.11 Guide - Throttle Control Rod					
9H	313059	Diesel Only	1		58/
9.8.12 Spring - Throttle Control Rod Stabilizer					
9H	312821	Diesel Only	1		58/
	44717-S	Washer #12 V.S.			
	72003-S8	Pin - 1/16 x 1/2 (Spring to Rod) Cotter	1		58/
9.8.13 Connector Assy. - Throttle Control Rod					
9H	311924		2		58/
	34081-S8	Nut 1/4 - 28 (Connector to Rod) Hex	2		58/
9.8.14 Anchor - Accelerator Pedal Pressure Balance Spring					
9H	312770	Except Diesel	1		58/
9H	NAA-99595-B	Diesel Only	1		58/
9.8.15 Spring - Accelerator Pedal Pressure Balance					
9H	NCA-9827-A	Except Diesel	1		58/
9H	313053	Diesel Only	1		58/
9.8.16 Clip - Rod End Governor Compensator					
9H	8M-9825		1		58/

PARTS **TRACTOR** CATALOG

FIG.	PART NUMBER	PART NAME	NO. REQ'D	MODEL OR SERIES	YEAR
12. ELECTRICAL WIRING, CABLES & LIGHTS					
12.2 LAMPS, LAMP WIRING, LAMP SWITCH AND MOUNTING PARTS					
12.2.5 Wiring Assy. - Switch to Headlamps					
12C	313358		1		58/
12.2.11 Head Lamp Assy.					
12C	312551	6 Volt	2		58/
12C	312553	12 Volt	2		58/
		34809-S8 Washer 1/2 Lock			
		356063-S8 Nut 1/2 - 20 (Headlamp to Hood Front Grille) Hex	2		58/
12.2.14 Bulb - Headlamp					
12C	312554	6 Volt	2		58/
12C	312555	12 Volt	2		58/
12.2.17 Door Assy. - Headlamp					
12C	312647		2		58/

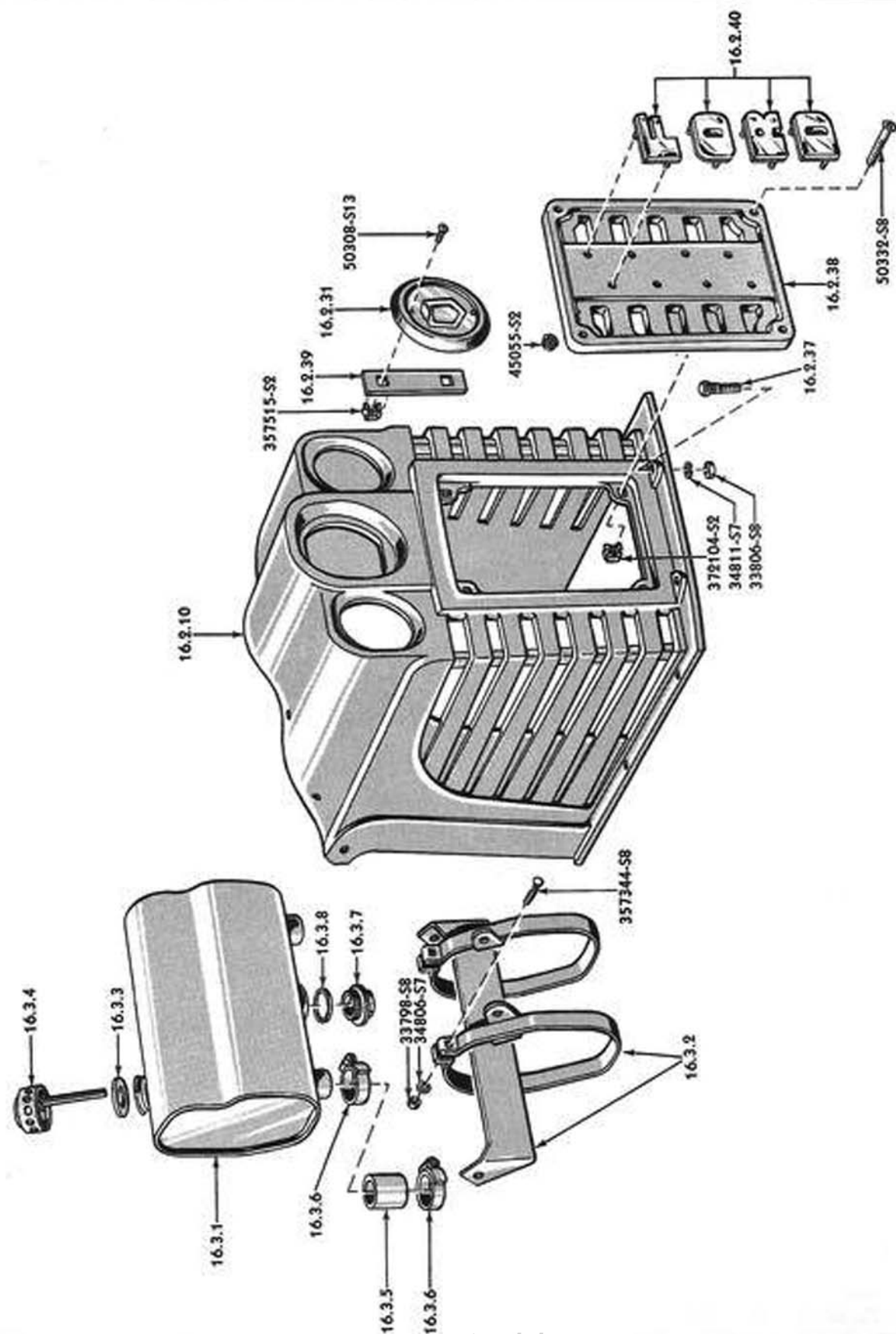


Fig. 16C GRILLE, HYDRAULIC OIL RESERVOIR & RELATED PARTS

Group numbers only shown on illustration. Order by Part Numbers shown in list of parts.

PARTS **TRACTOR** CATALOG

FIG.	PART NUMBER	PART NAME	NO. REQ'D	MODEL OR SERIES	YEAR
16. SHEET METAL & RELATED PARTS					
16.2.2 Panel Assy. - Hood Top Center					
16B	310891		1		58/
16.2.4 Panel & Gusset Assy. - Hood Side					
16B	312726	L. H.	1		58/
16B	312914	R. H.	1		58/
		351339-A2-S Washer .31 I.D. x 1.00 O.D. Rubber (used as Shim)	6		58/
		44724-S8 Washer .38 I.D. Flat	2		58/
		34806-S7 Washer 5/16 Lock			
		33798-S8 Nut 5/16 - 24 Hex			
		372119-S100 Screw 5/16 - 24 x 1.25 (Panels & Reservoir to Grille) Truss Hd.	6		58/
16.2.8 Panel Assy. - Hood Top Rear					
16B	310845		1		58/
16B	310849		1		58/
		354969-S100 Plug 2-1/16 (used to plug Indicator Hole in Panel)	1		58/
		74250-S7 Plug 1-1/8 (Inst. Light Hole)	1		58/
		34803-S7 Washer #10 Lock			
		34079-S8 Nut #10 - 32 Hex			
		39032-S8 Screw #10 - 32 x .38 (Rear Panel to Side Panels) Pan Hd.	2		58/
		34806-S7 Washer 5/16 Lock			
		33797-S8 Nut 5/16 - 18 Hex			
		88351-S8 Stud 5/16 - 24 - 18 x .88 (Rear Panel to Side Panels) Screw	2		58/
16.2.9 Panel Assy. - Hood Rear Lower					
16B	312342		1		58/
		42905-S8 Screw & L/W 5/16 - 24 x .75 Hex Hd.	4		58/
		354425-S8 Screw 5/16 - 24 x .88 (Rear Panel to Side Panel) Truss Hd. Cross	4		58/
		354425-S8 Screw 5/16 - 24 x .88 (Rear Lower Panel to Rear Top Panel) Truss Hd. Cross	2		58/
		44730-S8 Washer 7/16 Flat			
		34808-S7 Washer 7/16 Lock			
		21443-S8 Bolt 7/16 - 14 x 1.00 (Rear Lower Panel to Actuator Assy.) Hex Hd.	2		58/
16.2.10 Grille Assy. - Radiator					
16C	312727	Incl. 6 Bolts	1		58/
		34811-S7 Washer 5/8 Lock			
		33806-S8 Nut 5/8 - 18 (Grille to Side Members & Frt. Axle Support) Hex	6		58/



PARTS TRACTOR CATALOG



FIG.	PART NUMBER	PART NAME	NO. REQ'D	MODEL OR SERIES	YEAR
------	-------------	-----------	-----------	-----------------	------

16. SHEET METAL & RELATED PARTS

16.2.15 Catch Assy. - Hood Top Center Panel

16B	NAA-16645-C		2		58/
		34803-S7 Washer #10 Lock			
		34079-S8 Nut #10 - 32 Hex			
		39032-S8 Screw #10 - 32 x .38 (Catch Assy. to R.H. Side Panel) Pan Hd.	2		
		351665-S8 Bolt #10 - 32 x .38 (Catch Assy. to R.H. Side Panel) Carriage	2		58/

16.2.16 Latch - Hood Top Center Panel Catch

16B	NAA-16628-C		2		58/
		34805-S7 Washer 1/4 Lock			
		43260-S8 Screw & L/W 1/4-20 x .50 (Latch to Top Center Panel) Hex Hd.	2		58/

16.2.17 Spring - Hood Top Panel Lift

16B	NAA-16925-B		2		58/
		34803-S7 Washer #10 Lock			
		34079-S8 Nut #10 - 32 Hex			
		39032-S8 Screw #10 - 32 x .38 (Catch Assy. & Spring to Side Panel R.H.) Pan Hd.	2		58/

16.2.18 Hinge - Hood Top Center Panel

16B	NAA-16689-C	Rear	1		58/
16B	311105	Front	1		58/
		354486-S2 Nut 3/8-16 (Spring Hinge to L.H. Side Panel) Hex	2		58/
		370986-S8 Screw 1/4 - 20 x .50 Hex Washer Hd. (Hinge to Center Panel Assy.)	4		58/
		(Center Latch to Panel)	4		58/

16.2.19 Hinge - Hood Side Panel

16B	NAA-16651-B		2		58/
		60903-S Rivet 3/16 x 3/8 (Hinge & L.H. Side Panel) Oval Hd. Solid	4		58/

16.2.31 Emblem or Plate - Hood Front

16C	312718	Emblem	1		58/
		357515-S2 Nut 12-24 Cage			
		50308-S13 Screw 12 - 24 x 1.00 (Emblem to Plate) Rd. Hd. Cross Recessed	2		58/

16.2.37 Bolt - Hood Front Grille

16C	312738	Grille to Side Members & Support	6		58/
-----	--------	----------------------------------	---	--	-----

PARTS **TRACTOR** CATALOG

FIG.	PART NUMBER	PART NAME	NO. REQ'D	MODEL OR SERIES	YEAR
16. SHEET METAL & RELATED PARTS					
16.2.38 Door - Hood Front Grille					
16C	312798		1		58/
		372104-S2 Nut 3/8 - 16 Retainer			
		50332-S8 Screw 3/8 - 16 x 1.50 (Door to Grille) Rd. Hd. Cross Recessed	4		58/
16.2.39 Plate Assy. - Hood Front Emblem Mtg.					
16C	312740	Incl. 2 nuts	1		58/
16.2.40 Letters - Front Grille Door					
16C	1006691	"F"	1		58/
16C	1006692	"O"	1		58/
16C	1006693	"R"	1		58/
16C	1006694	"D"	1		58/
		45055-S2 Nut 1/4 (Letters to Front Grille Door) Spring Stud	8		58/
16.3 RESERVOIR - HYDRAULIC EQUIPMENT OIL					
16.3.1 Reservoir Assy. - Hydraulic Equipment Oil					
16C	312851		1		58/
16.3.2 Strap Assy. - Hydraulic Equipment Oil Reservoir					
16C	312782		1		58/
		34806-S7 Washer 5/16 Lock			
		33798-S8 Nut 5/16 - 24 Hex			
		357344-S8 Bolt 5/16 - 24 x 1.40/1.34 (Strap to Reservoir) Carr. Hd.	2		58/
16.3.3 Gasket - Hydraulic Equip. Oil Reservoir Filter Cap					
16C	313399		1		58/
16.3.4 Cap Assy. - Hydraulic Equip. Oil Reservoir Air Filter					
16C	313398		1		58/
16.3.5 Hose - Hydraulic Equip. Oil Reservoir					
16C	312735		2		58/
16.3.6 Clamp Assy. - Hydraulic Equip. Oil Reservoir Hose					
16C	107325		4		58/
16.3.7 Plug - Hydraulic Equip. Oil Reservoir Filter Drain					
16C	9N-7010		1		58/
16.3.8 Gasket - Hydraulic Equip. Oil Reservoir Fill. Drain Plug					
16C	8N-7011		1		58/

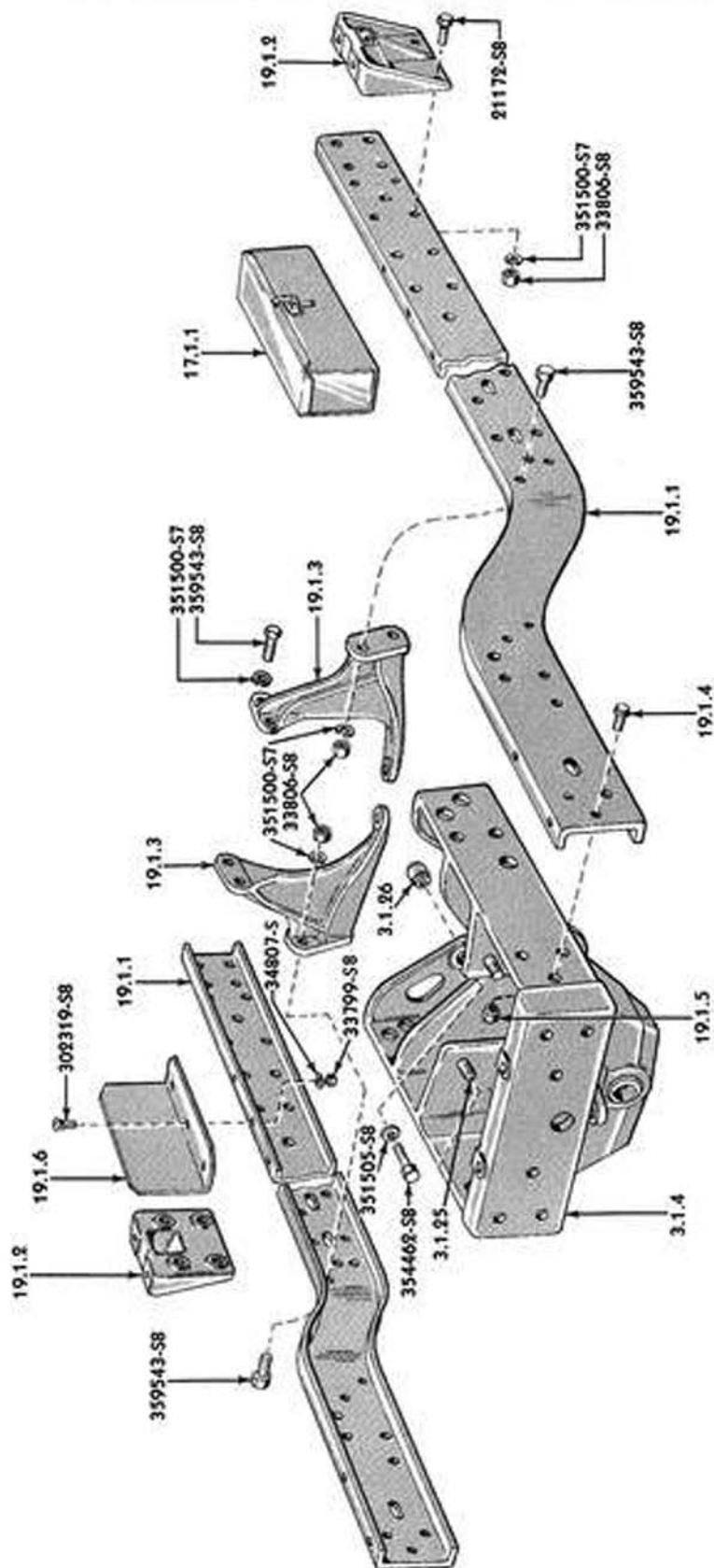


Fig. 19A FRAME & RELATED PARTS
 Group numbers only shown on illustration. Order by Part Numbers shown in list of parts.

PARTS **TRACTOR** CATALOG

FIG.	PART NUMBER	PART NAME	NO. REQ'D	MODEL OR SERIES	YEAR
19. FRAME & RELATED PARTS					
17.1.1 Box Assy. - Tool					
19A	312616		1		58/
		33800-S8 Nut 3/8 - 24 Hex			
		20389-S8 Bolt 3/8 - 24 x 1.00 (Tool Box to Side Member L. H.) Hex Hd.	3		58/
19.1 FRAME & RELATED PARTS					
19.1.1 Member - Frame Side					
19A	312536	R. H.	1		58/
19A	312537	L. H.	1		58/
		351500-S7 Washer 5/8 Lock			
		33806-S8 Nut 5/8 - 18 Hex			
		21172-S8 Bolt 5/8 - 18 x 1.80 (Side Members to Hangers) Hex Hd.	8		58/
		351500-S7 Washer 5/8 Lock			
		33806-S8 Nut 5/8 - 18 Hex			
		359543-S8 Bolt 5/8 - 18 x 2.00 (Side Members to Brkts.) Hex Hd.	4		58/
19.1.2 Hanger - Frame Side Member					
19A	312627	Rear	2		58/
19.1.3 Bracket - Frame Side Member					
19A	312956	R. H.	1		58/
19A	312957	L. H.	1		58/
		351500-S7 Washer 5/8 Lock			
		372136-S8 Bolt 5/8 - 11 x 1.68 (Brkts to Trans.) Hex Hd.	6		58/
19.1.4 Bolt - Side Members to Axle Support					
19A	312615		6		58/
19.1.5 Nut - Side Members to Axle Support Bolt					
19A	BB-1120		6		58/
19.1.6 Guard - Foot					
19A	312566		1		58/
		34807-S7 Washer 3/8 Lock			
		33799-S8 Nut 3/8 - 16 Hex			
		302319-S8 Bolt 3/8 - 16 x 1.00 (Guard to R. H. Side Member) Rd. Hd.	3		58/



PARTS TRACTOR CATALOG

Numerical Index

Basic	Name	Group Number	Basic	Name	Group Number
2N-1012	Nut - Front Wheel	1.1.6	312342	Panel Assy. - Hood Rear Lower	16.2.9
1120	Nut - Side Mbr. to Support Bolt	19.1.5	312518	Cup - Front Wheel Brg.	1.1.8
1195	Washer - Front Hub Brg. Retainer	3.1.14	312520	Cone & Roller, Front Wheel	1.1.7
2324	Arm - Brake Pawl	2.2.11	312523	Retainer, Front Hub	1.1.9
2342	W/Return tubes Cyl. to Cooler	3.5.13	312536	Member - Frame Side R.H.	19.1.1
2796	Sector - Brake Pawl	2.2.14	312537	Member - Frame Side R.H.	19.1.1
3110	Bushing - Front Wheel Spindle	3.1.2	312538	Axle Assy. - Front	3.1.1
3115	Pin - Spindle	3.1.22	312548	Cup - Front Wheel Brg.	1.1.8
3122	Pin - Spindle Locking	3.1.29	312551	Head Lamp Assy.	12.2.11
3123	Bearing Assy. - Spindle Pin	3.1.23	312553	Head Lamp Assy.	12.2.11
3125	Ring - Spindle Pin Seal	3.1.28	312554	Bulb - Headlamp	12.2.14
3332	Cover Assy. or Seal - Dust	3.3.6	312555	Bulb - Headlamp	12.2.14
3517	Bearing Assy. - Strg. Column	3.4.35	312557	Spacer - Front Axle	3.1.18
3518	Seat - Strg. Col. Brg. Spring	3.4.34	312558	Spacer - Front Axle	3.1.18
3520	Spring - Strg. Column Brg.	3.4.33	312560	Pin - Front Axle	3.1.5
3612	Kit - Rotor	3.5.72	312562	Bushing - Front Axle	3.1.8
8L-4221	Cone & Roller, Front Wheel	1.1.7	312563	Bushing - Front Axle	3.1.8
4636	Washer - Front Axle Pin Lock	3.1.27	312565	Shield - Front Wheel Hub Mud	3.1.24
6038	Insulator Assy. - Support	3.1.26	312566	Guard - Foot	19.1.6
7010	Plug - Hyd. Equip. Oil Reserv. Drain	16.3.7	312591	Arm - Front Axle Spindle	3.3.1
7011	Gasket - Reservoir Drain Plug	16.3.8	312592	Arm - Front Axle Spindle	3.3.1
8100	Cap Assy. - Radiator	8.1.3	312593	Spindle Assy. - Front Wheel	3.1.13
8115	Cock Assy. - Radiator Drain	8.1.2	312596	Support Assy. - Front Axle	3.1.4
8125	Insulator - Radiator Support	8.1.6	312599	Stud - Front Axle Support	3.1.25
8255	Gasket - Water Outlet Conn.	8.1.11	312615	Bolt - Side Mbrs. to Axle Support	19.1.4
8287	Clamp Assy. - Hose	8.1.8	312616	Box Assy. - Tool	17.1.1
8575	Thermostat Assy. - Water	8.1.12	312627	Hanger - Frame Side Member	19.1.2
9825	Clip - Parking Brake Control Rod	2.2.18	312647	Door Assy. - Headlamp	12.2.17
9825	Clip - Rod End Gov. Compensator	9.8.16	312718	Emblem or Plate - Hood Front	16.2.31
9827	Spring - Pedal Pressure Balance	9.8.15	312726	Panel & Gusset Assy. - Hood Side	16.2.4
16628	Latch - Hood Top Ctr. Panel Catch	16.2.16	312727	Grille Assy. - Radiator	16.2.10
16645	Catch Assy. - Hood Top Ctr. Panel	16.2.15	312735	Hose - Hyd. Equip. Oil Reservoir	16.3.5
16651	Hinge - Hood Side Panel	16.2.19	312738	Bolt - Hood Front Grille	16.2.37
16689	Hinge - Hood Top Center Panel	16.2.18	312743	Wheels	1.1.1
16925	Spring - Hood Top Panel Lift	16.2.17	312760	Rod & Guide Assy. - Throttle Control	9.8.7
22071	Lever - Parking Brake	2.2.13	312761	Plate - Accelerator Pedal Mtg.	9.8.2
22072	Lever - Parking Brake	2.2.13	312762	Lever Assy. - Accelerator Control	9.8.4
22785	Pawl - Brake	2.2.12	312765	Shaft - Accelerator	9.8.6
33547	Gasket - Pump Orifice	3.5.44	312766	Support - Accelerator Control	9.8.5
33553	Reinf. - Oil Reservoir Orifice	3.5.42	312767	Rod - Accelerator Control	9.8.8
33611	Shaft - Pump Rotor	3.5.25	312768	Pedal Assy. - Accelerator	9.8.1
33623	Seal Assy. - Pump Shaft Oil	3.5.30	312769	Rod Assy. - Accelerator Pedal	9.8.3
33627	Fitting - Pump Valve Outlet	3.5.15	312770	Anchor - Balance Spring	9.8.14
33633	Pin - Pump Rotor Drive	3.5.24	312782	Strap Assy. - Hyd. Equip. Oil Reserv.	16.3.2
99595	Anchor - Balance Spring	9.8.14	312798	Door - Hood Front Grille	16.2.38
107325	Clamp Assy. - Reservoir Hose	16.3.6	312817	Guide - Parking Brake	2.2.15
231115	Stud - Oil Reservoir	3.5.40	312818	Rod - Parking Brake Pawl Control	2.2.16
231133	Clamp Assy. - Reservoir Cover	3.5.35	312819	Rod - Parking Brake Pawl Control	2.2.16
231134	Cover Assy. - Oil Reservoir	3.5.36	312820	Handle - Parking Brake Control Rod	2.2.20
231191	Gasket - Oil Reservoir Cover	3.5.37	312821	Spring - Parking Brake Pawl Control	2.2.17
309567	End Assy. - Tie Rod	3.3.5	312821	Spring - Throttle Control Rod	9.8.12
309568	End Assy. - Tie Rod	3.3.5	312822	Spring - Parking Brake Pawl Control	2.2.17
310031	Connection - Water Outlet	8.1.10	312851	Reservoir Assy. - Hyd. Equip. Oil	16.3.1
310039	Rod - Pump Adj. Turnbuckle	3.5.47	312886	Handle - Parking Brake Control Rod	2.2.20
310042	Turnbuckle - Pump Adj.	3.5.46	312914	Panel & Gusset Assy. - Hood Side	16.2.4
310043	Rod - Pump Adj. Turnbuckle	3.5.47	312920	Shield - Radiator Lower Hose	8.1.14
310048	Hose - Cyl. Head & Radiator Upper	8.1.7	312929	Sleeve - Strg. Drag Link Adj.	3.3.3
310845	Panel Assy. - Hood Top Rear	16.2.8	312956	Bracket - Frame Side Mbr. R.H.	19.1.3
310849	Panel Assy. - Hood Top Rear	16.2.8	312957	Bracket - Frame Side Mbr. L.H.	19.1.3
310891	Panel Assy. - Hood Top Center	16.2.2	313020	Hub & Bolt Assy.	1.1.4
311105	Hinge - Hood Top Center Panel	16.2.18	313022	Bolt, Front Wheel	1.1.5
311924	Connector - Throttle Control	9.8.13	313023	Cup - Front Hub	1.1.10



PARTS TRACTOR CATALOG

Numerical Index

Basic	Name	Group Number	Basic	Name	Group Number
313049	Rod Assy. - Accelerator Pedal	9.8.3	313462	Hsg. & Spool Assy. - Cyl. Valve	3.6.12
313051	Support - Accelerator Control	9.8.5	313463	Plug - Cyl. Valve Hsg.	3.6.51
313052	Lever Assy. - Accelerator Control	9.8.4	313464	Plug - Cyl. Valve Spring	3.6.47
313053	Spring - Pedal Pressure Balance	9.8.15	313465	Pin - Cyl. Valve Actuating	3.6.55
313056	Rod - Throttle Control	9.8.9	313466	Support - Cyl. Valve Actuating Stud	3.6.57
313057	Rod - Accelerator Control	9.8.8	313467	Bushing - Cyl. Valve Actuating Stud	3.6.56
313058	Stop - Throttle Control Rod	9.8.10	313468	Guide - Actuating Stud Support	3.6.58
313059	Guide - Throttle Control Rod	9.8.11	313469	Washer - Cyl. Valve Actuating Stud	3.6.60
313118	Pulley - Crankshaft	6.3.7	313470	Stud - Cyl. Valve Actuating	3.6.61
313131	Radiator Assy.	8.1.1	313471	Nut - Cyl. Valve Actuating Stud Jam	3.6.62
313140	Wheel Assy. - Steering	3.4.36	313472	Sleeve - Cyl. Conn. Rod End	3.6.45
313142	Shroud - Fan	8.1.9	313473	End Assy. - Power Strg. Cyl.	3.3.5
313148	Pump, Reservoir & Pulley Assy.	3.5.1	313474	End Assy. - Power Strg. Cyl.	3.3.5
313149	Belt - Power Strg. Pump	3.5.10	313475	Tube Assy. - Cyl. Inner	3.6.36
313150	Pulley - Power Strg. Pump	3.5.8	313476	Piston Rod Assy. - Cyl.	3.6.48
313151	Hose - Cyl. Head & Radiator Lower	8.1.7	313477	Guide - Cyl. Piston Rod	3.6.46
313174	Shield Assy.	3.4.70	313478	Tube Assy. - Cyl. Outer	3.6.36
313179	Tube Assy. - Power Strg. Return	3.5.11	313534	Conduit Assy.	3.4.73
313180	Hose - Power Strg. Return	3.5.11	313549	Filter - Pump By-Pass	3.5.74
313181	Tube & Hose Assy. - Pump	3.5.12	313552	Cover Assy. or Seal - Dust	3.3.6
313197	Rims - Rear Wheels	1.2.1	313553	Cover Assy. - Pump Hsg.	3.5.22
313269	Tube Assy. - Power Strg. Return	3.5.11	313356	Housing Assy. - Steering Gear	3.4.2
313270	Tube Assy. - Power Strg. Return	3.5.11	313548	Retainer - Pwr. Strg. Pump Gasket	3.5.75
313271	Hose - Power Strg. Return	3.5.11	313551	Cable & Conduit Assy.	3.4.72
313272	Shield Assy.	3.4.70	313554	Pedal - Brake R.H.	2.2.1
313293	Washer	3.4.71	313572	Bracket - P.S. Control Cable	3.4.74
313307	Bolt - Pressure Hose	3.5.73	313574	Bracket - P.S. Control Cable	3.4.74
313338	Spacer - Pwr. Strg. Actuator Hsg.	3.4.59	313575	Bracket - P.S. Control Cable	3.4.74
313340	Washer - Actuator Shaft	3.4.66	313605	Extension - Clutch Release Shaft Arm	7.3.25
313341	Cap - Power Steering Actuator	3.4.68	1006691	Letters - Front Grille Door	16.2.40
313342	Seat - Actuator Friction Spring	3.4.67	1006692	Letters - Front Grille Door	16.2.40
313343	Spring - Actuator Friction	3.4.64	1006693	Letters - Front Grille Door	16.2.40
313345	Bushing - Actuator Wheel	3.4.63	1006694	Letters - Front Grille Door	16.2.40
313346	Wheel - Power Strg. Actuator	3.4.61			
313347	Washer - Actuator Friction	3.4.60			
313348	Shaft Assy. - Strg.	3.4.26			
313351	Pump Assy. - Power Strg.	3.5.14			
313353	Elem. Assy. - Oil Reserv. Filter	3.5.39			
313355	Reservoir & Tube Assy. - Oil	3.5.43			
313358	Wiring Assy. - Switch to Headlamps	12.2.5			
313362	Ret. Assy. - Oil Reserv. Filt. Elem.	3.5.38			
313363	Support - Oil Reserv. Filt. Elem.	3.5.41			
313365	Housing Assy. - Pump	3.5.29			
313366	Valve Assy. - Pump	3.5.19			
313371	Spring - Pump Flow Control Valve	3.5.17			
313372	Clamp Assy. - Power Strg. Hose	3.5.13			
313373	Bracket - Pump Tube	3.5.45			
313374	Emblem - Power Steering	3.4.47			
313395	Seal - Strg. Column Dust	3.4.32			
313398	Cap Assy. - Reservoir Filter	16.3.4			
313399	Gasket - Reservoir Filter Cap	16.3.3			
313421	Bracket - Pump Support	3.5.7			
313422	Washer - Actuator Shaft Thrust	3.4.62			
313444	Clamp Assy. - Power Strg. Hose	3.5.13			
313454	Seal - Cyl. Piston Rod Outer	3.6.8			
313455	Seal - Cyl. Valve Actuating Stud	3.6.59			
313456	Seal Assy. - Cyl. Piston Rod Inner	3.6.10			
313457	Seat - Cyl. Valve Body	3.6.52			
313458	"O" Ring - Cyl. Valve Hsg. & Spool	3.6.53			
313459	Ring - Cyl. Piston	3.6.49			
313460	Ret. - Hsg. & Spool "O" Ring	3.6.54			
313461	Retainer - Cyl. Inner Tube	3.6.50			